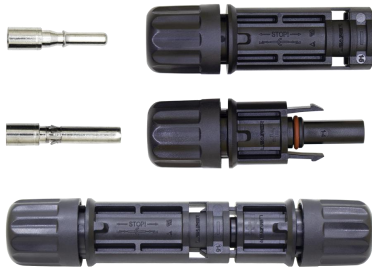


PV-BN101A Solar Connector



IEC 1500V
UL 1500V



UL: 6703
IEC: 62852



-40°C~85°C



UL94-V0



IP 68



UV Resistance

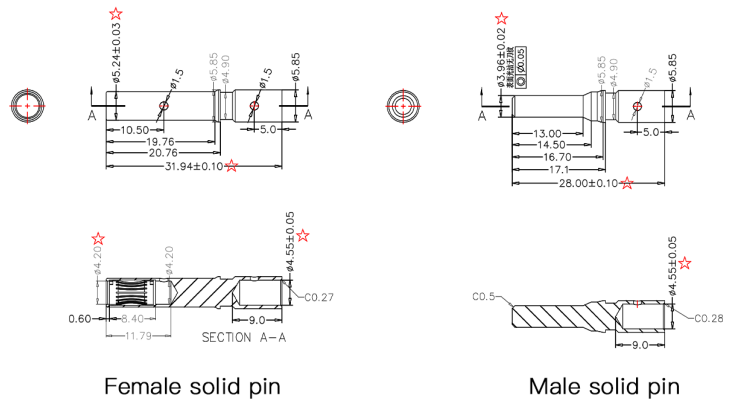


Product Overview

PV- BN101A connectors use high quality materials that guarantee long-term reliability. Lower contact resistance and higher current transfer capability ensure high product efficiency. PV- BN101A connectors have IP68 water-proof rating and can be used in a wide operating temperature range from -40 °C to 85 °C.

Technical Data

| | |
|-----------------------|--------------------|
| Rated Voltage | IEC 1500V\UL1500V |
| Certification | IEC 62852; UL 6703 |
| Rated Current | 35A/40A/45A/55A |
| Ambient temperature | -40°C up to +85°C |
| Contact Resistance | ≤0.25 mΩ |
| Pollution Degree | Class II |
| Protection Degree | Class II |
| Fire Resistance | UL94-V0 |
| Rated Impulse Voltage | 16KV |
| Locking System | NEC Locking Type |



Female solid pin

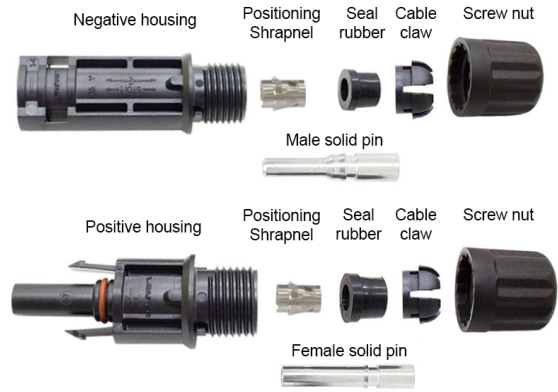
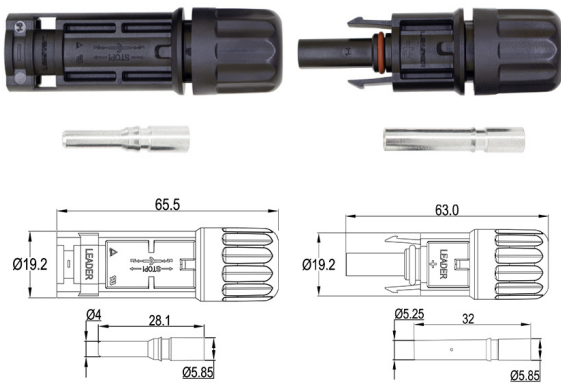
Male solid pin

Order Data

| Part No. | Cable OD Range/mm | Cable Cross Section | Standard Package Unit | Description |
|-----------------|-------------------|---|--------------------------------------|-------------------|
| PV-BN101A-F1 | 4.7mm~6.0mm | 2.5mm ² /4mm ² 14AWG/12AWG | 500 pairs / Carton | Full Pairs |
| PV-BN101A-F1-MH | | | 500 pcs / package | F2 Male Housing |
| PV-BN101A-F1-FH | | | 500 pcs / package | F2 Female Housing |
| PV-BN101A-MT | | | 500 pcs / package or 2500 pcs / Reel | Male terminal |
| PV-BN101A-FT | | | 500 pcs / package or 2500 pcs / Reel | Female terminal |
| PV-BN101A-F2 | 5.6mm~6.9mm | 4mm ² /6mm ² 12AWG/10AWG | 500 pairs / Carton | Full Pairs |
| PV-BN101A-F2-MH | | | 500 pcs / package | F2 Male Housing |
| PV-BN101A-F2-FH | | | 500 pcs / package | F2 Female Housing |
| PV-BN101A-MT | | | 500 pcs / package or 2500 pcs / Reel | Male terminal |
| PV-BN101A-FT | | | 500 pcs / package or 2500 pcs / Reel | Female terminal |
| PV-BN101A-F6 | 6.9mm~8.7mm | 10mm ² /16mm ² 8AWG | 500 pairs / Carton | Full Pairs |
| PV-BN101A-F6-MH | | | 500 pcs / package | F6 Male Housing |
| PV-BN101A-F6-FH | | | 500 pcs / package | F6 Female Housing |
| PV-BN101A-MT | | | 500 pcs / package or 2500 pcs / Reel | Male terminal |
| PV-BN101A-FT | | | 500 pcs / package or 2500 pcs / Reel | Female terminal |



PV-BN101A Solar Connector



How to Order solar cable connector (please choose one code per position, below)

| | | | | | | |
|-------------|----------|----------|----------|----------|--|--|
| SCC- | X | X | X | X | | |
|-------------|----------|----------|----------|----------|--|--|

| SCC | Cable Cross Section | Cable OD | Terminals Package | MPQ Housing Package | Variations |
|-----------------------|--|---|-----------------------------------|--|--------------------------------|
| Solar Cable Connector | <input type="checkbox"/> 2.5m ² (14Awg) | <input type="checkbox"/> F1: 4.7~6 .0mm | <input type="checkbox"/> R : Roll | <input type="checkbox"/> 500 pairs/package | <input type="checkbox"/> _____ |
| | <input type="checkbox"/> 4-6mm ² (12Awg- 10AWG) | <input type="checkbox"/> F2: 5.6~6 .9mm | <input type="checkbox"/> P : Bulk | <input type="checkbox"/> 50 pairs/package | |
| | <input type="checkbox"/> 10mm ² (8Awg) | <input type="checkbox"/> F6: 6.9~8 .5mm | <input type="checkbox"/> _____ | <input type="checkbox"/> 5 pairs/package | |
| | <input type="checkbox"/> _____ | <input type="checkbox"/> _____ | | <input type="checkbox"/> 1 pairs/package | |
| | | | | <input type="checkbox"/> _____ | |

* Customized options available, for more information, please contact LEADER GROUP sales team: info@leadergroup-cn.com

Example:

SCC-6mm-F2-B-500 means the Solar cable connector will match 6mm² cable with 5.6~6.9 OD. The terminals will be packaged with plastic housing together. 500 plastic housing will be packaged in one p ackage.

Standard Package Info:



| Carton Dimension (cm) | Pack list | QTY | Gross Weight (kg) |
|---|-----------------|---------|-------------------|
| 59cm X 39cm X 20cm | Male Housing | 500 pcs | 15kg |
| | Female Housing | 500 pcs | |
| | Male terminal | 500 pcs | |
| | Female terminal | 500 pcs | |
| Remark: 500 pairs in one carton package | | | |

